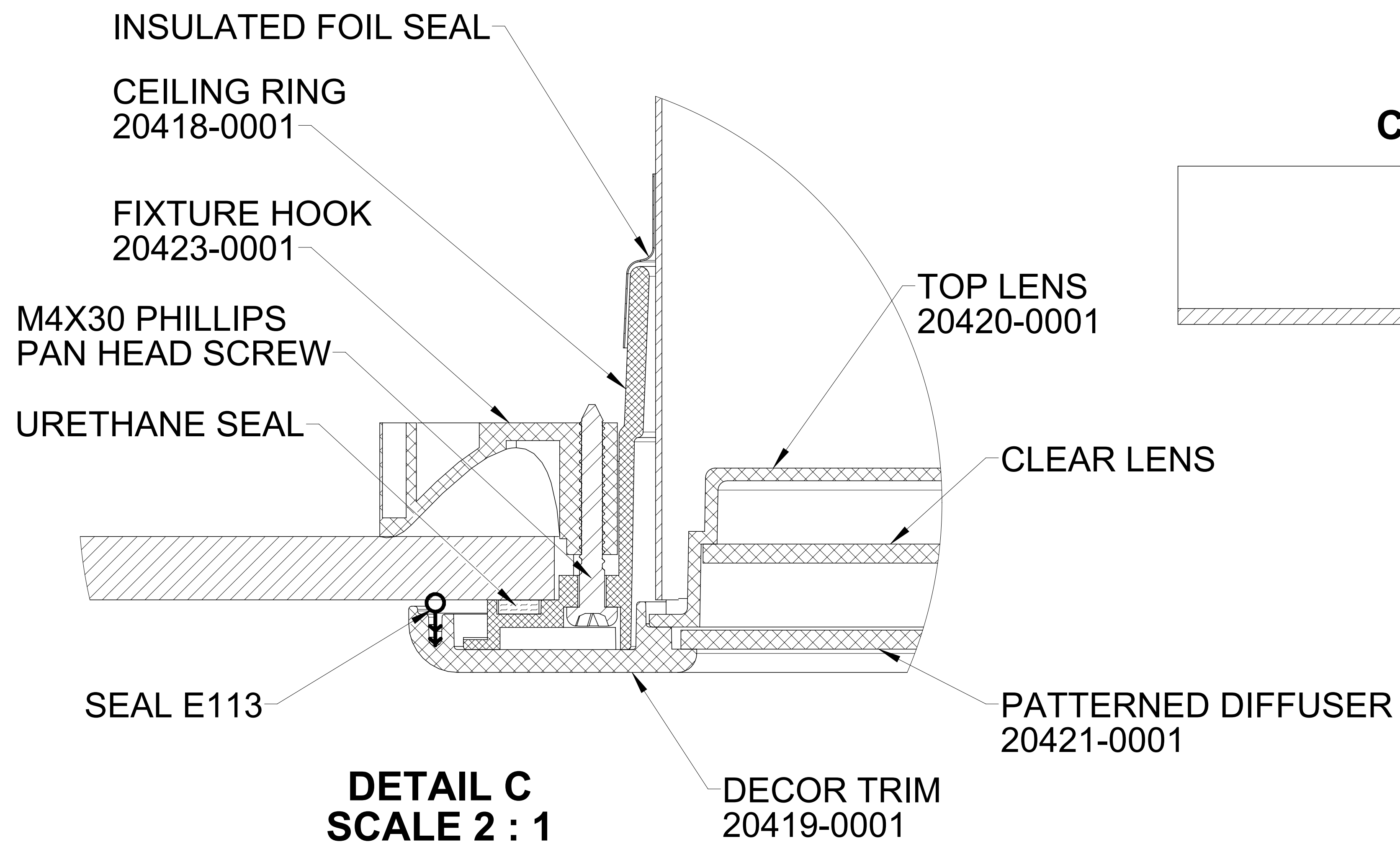
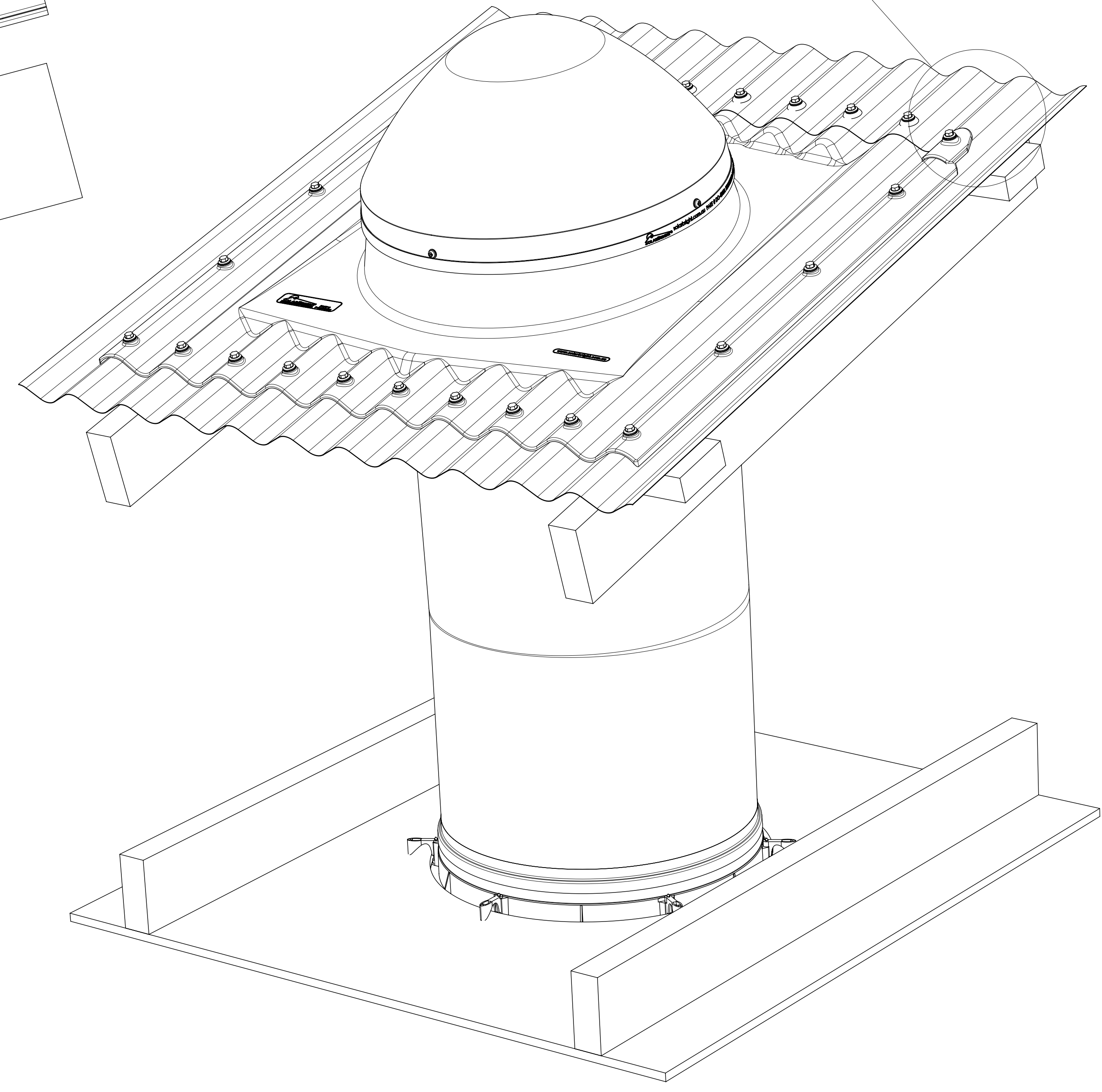
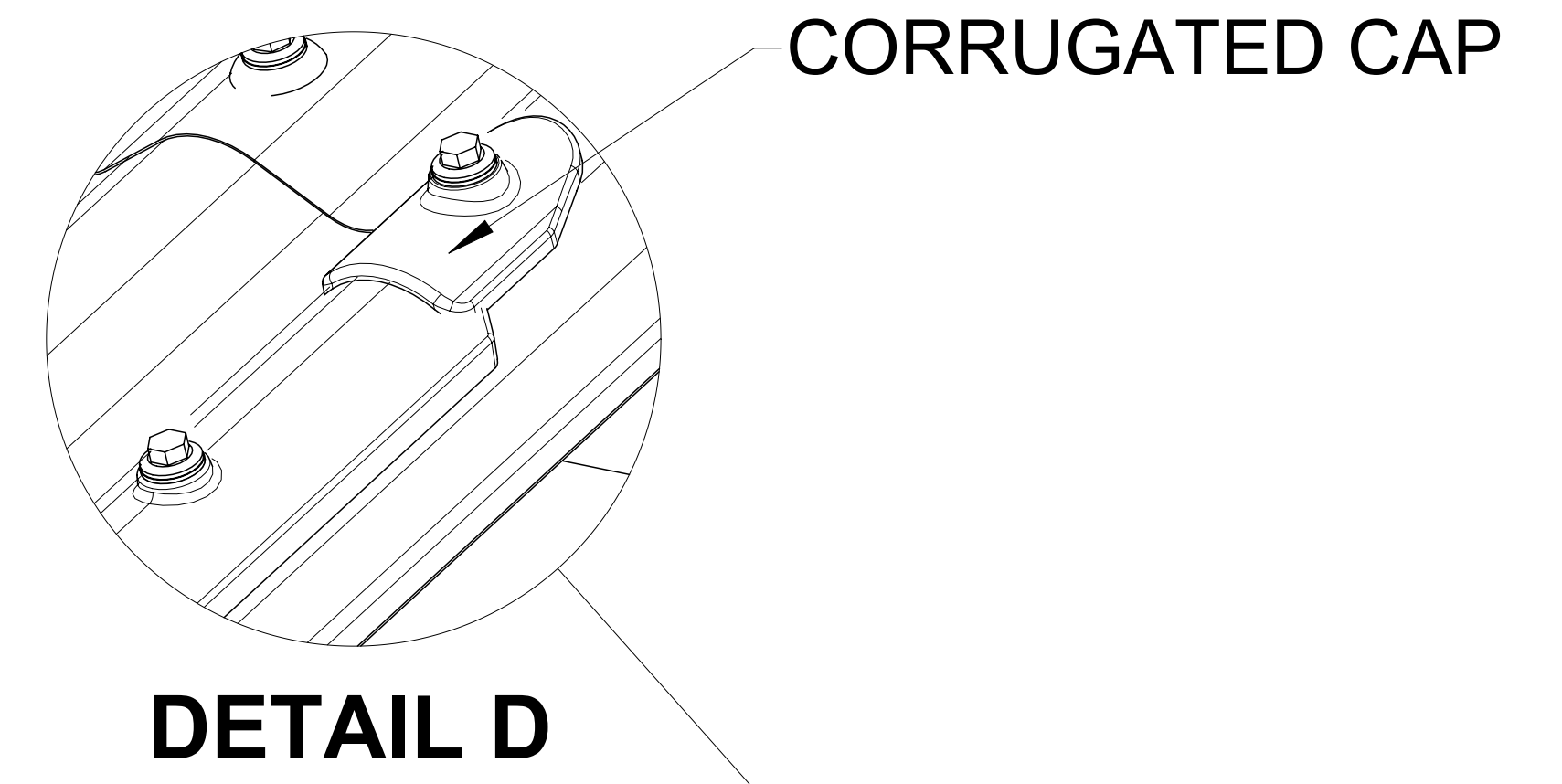
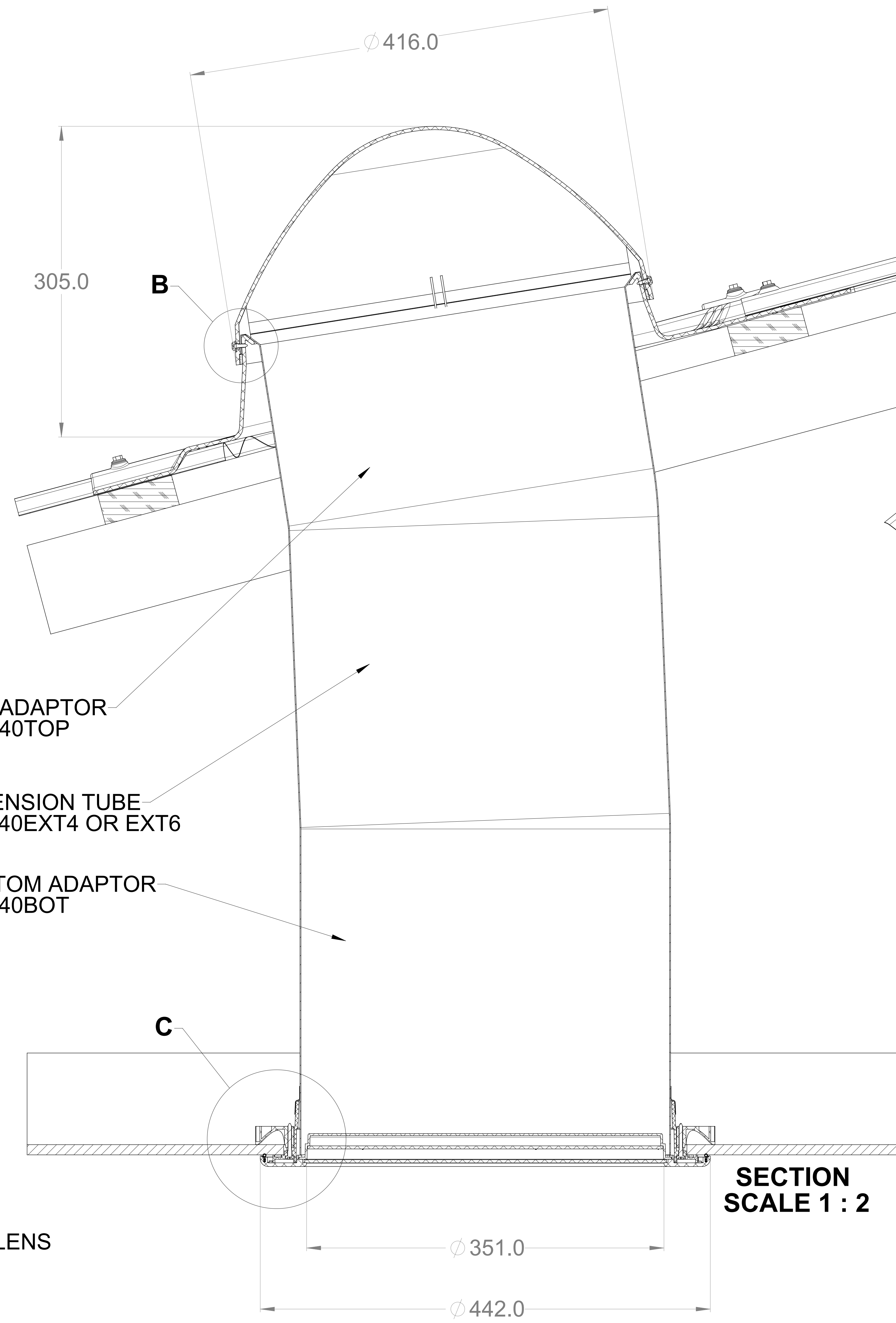
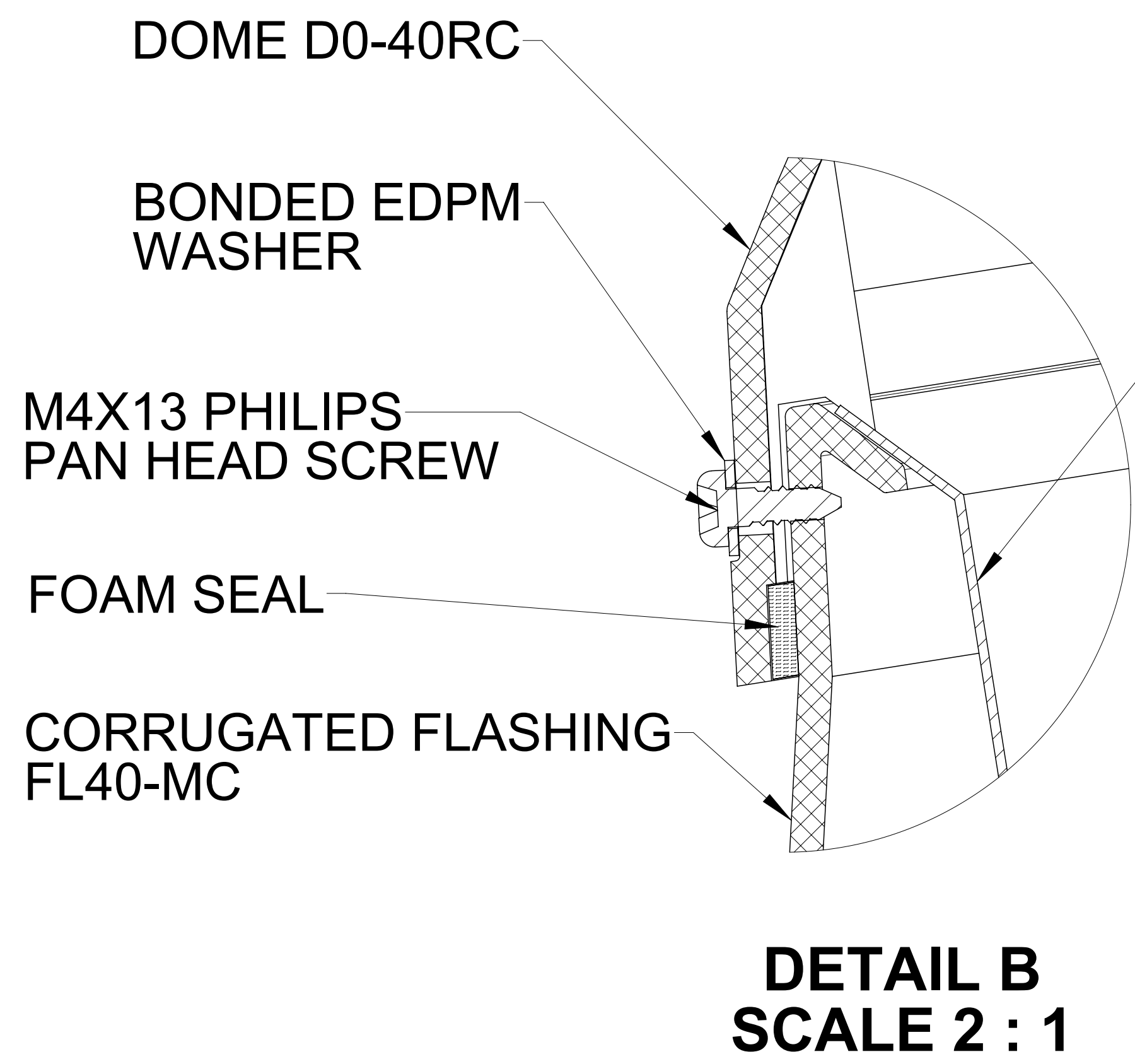


K-40ML



NOTES
1. STRUCTURAL ELEMENTS SHOWN FOR REFERENCE ONLY
2. ALL DIMENSIONS IN METRIC MM



Solar Bright International Pty Ltd
11 Progress Circuit, Prestons, NSW, 2170 Australia.

ALL DIM IN MM	DO NOT SCALE	3RD ANGLE PROJECTION	AS1100	THIS PRINT	Thursday, 11 September 2014 8:04:35 AM
THIS IS THE CONTROL DRAWING FOR THE CAD FILE: DRAWINGNAME-REVISION.EXTENSION				SHEET SIZE	SHEET NUMBER
GENERAL TOLERANCES (UNLESS OTHERWISE STATED):				A0	1 / 1
X = ±1.000 XX = ±0.250				1:2	REVISION
DRAWING NAME				A	
400 MAXLIGHT KIT					
FOR METAL CORRUGATED APPLICATION					